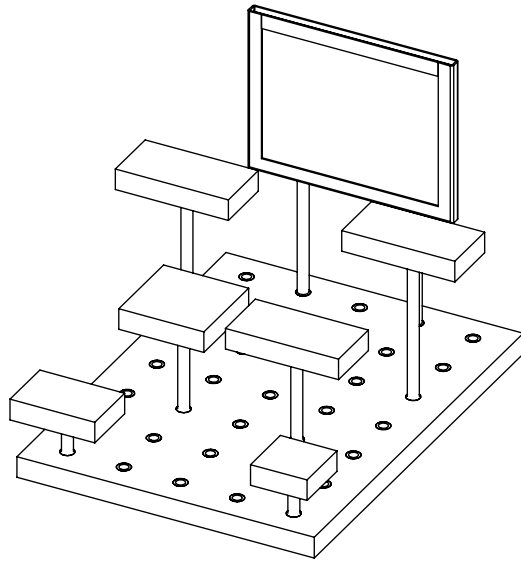
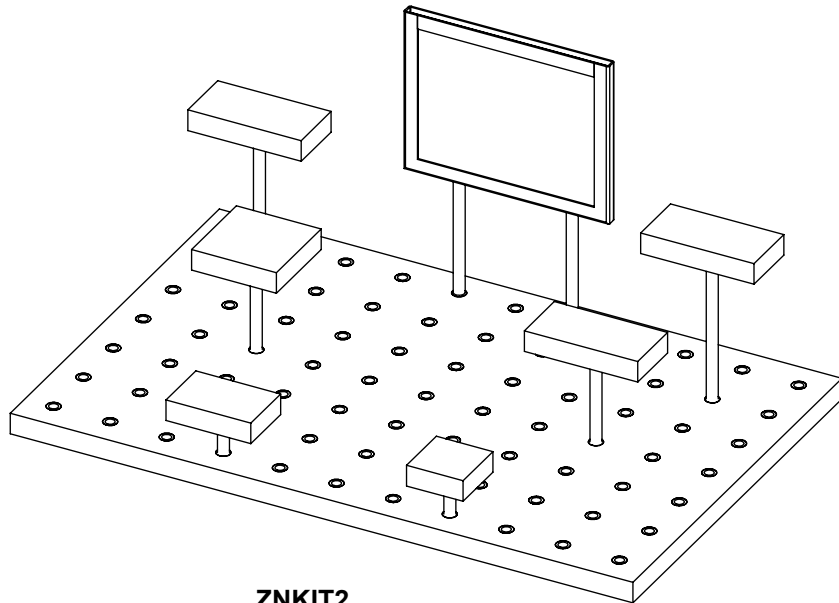


LEVELS BY ZEN GENIUS

ZNKIT1 & ZNKIT2

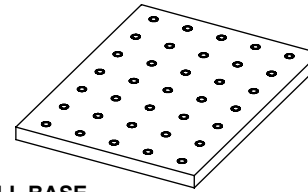


ZNKIT1



ZNKIT2

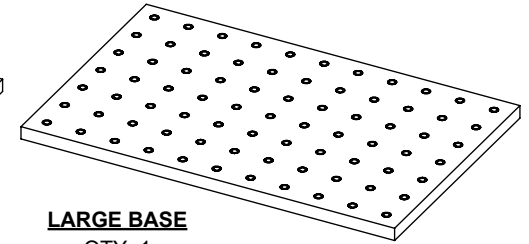
INCLUDED COMPONENTS



SMALL BASE

QTY: 1

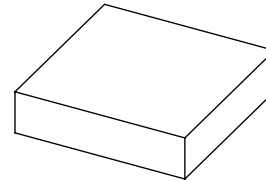
ZNKIT1 ONLY



LARGE BASE

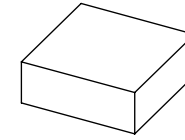
QTY: 1

ZNKIT2 ONLY



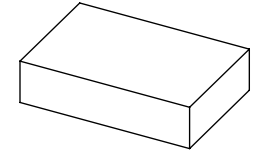
3" X 3" RISER PLATFORM

QTY: 1



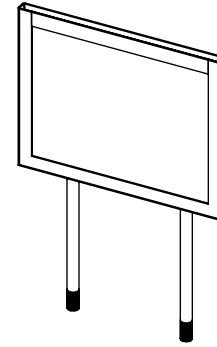
2" X 2" RISER PLATFORM

QTY: 1



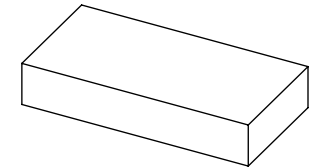
3" X 2" RISER PLATFORM

QTY: 1



SIGN HOLDER

QTY: 1



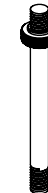
4" X 2" RISER PLATFORM

QTY: 3



2 3/8" RISER STEM

QTY: 2



4 3/8" RISER STEM

QTY: 2



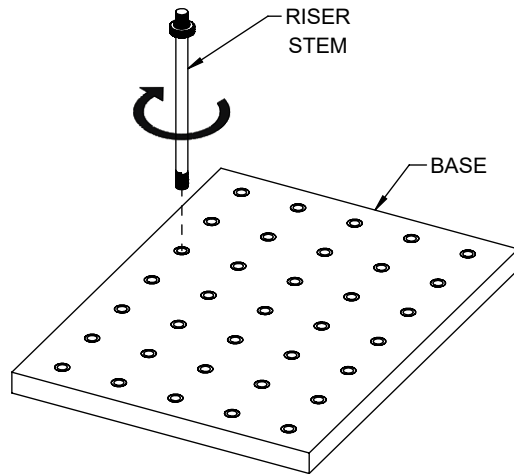
6 3/8" RISER STEM

QTY: 2

FOR INSTALLING RISERS:

1

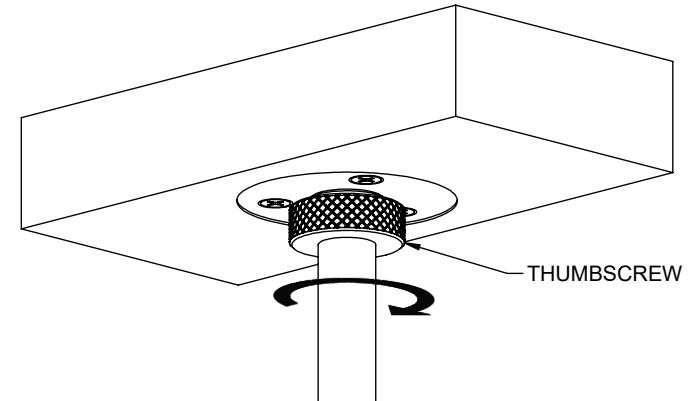
SCREW RISER STEM INTO DESIRED LOCATION ON THE BASE.



3

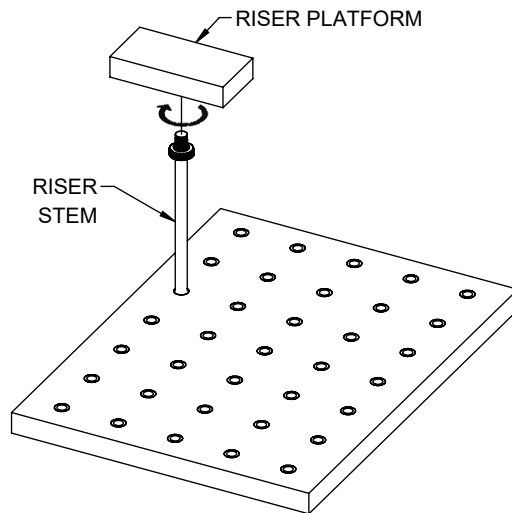
HOLD THE RISER PLATFORM IN DESIRED POSITION, AND SCREW THUMBSCREW UP TO LOCK THE PLATFORM IN PLACE.

NOTE: DO NOT OVERTIGHTEN



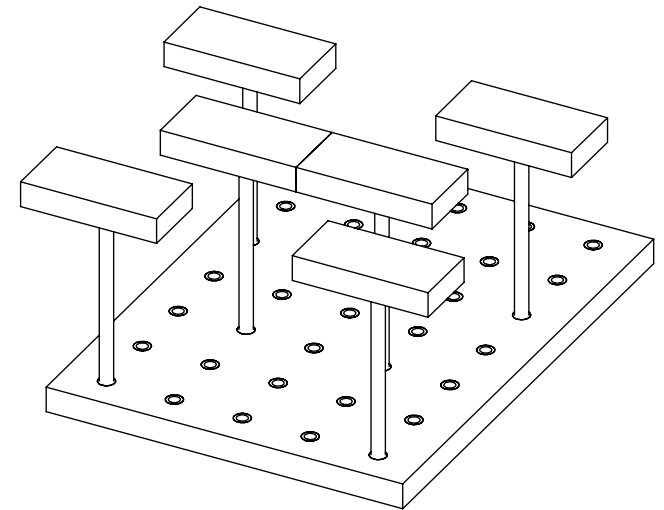
2

SCREW RISER PLATFORM ONTO RISER STEM.



4

REPEAT STEPS 1 THROUGH 3 FOR THE REMAINING RISERS.

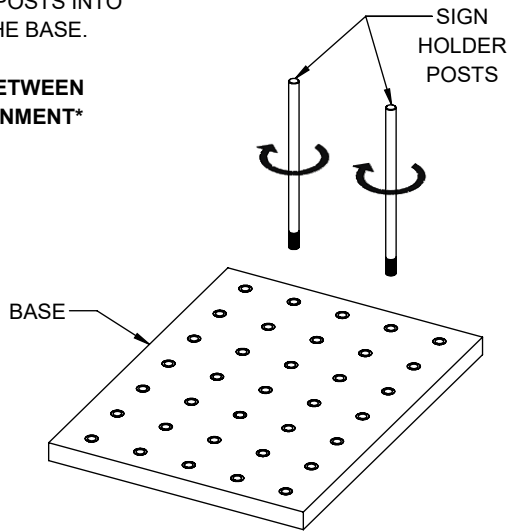


FOR INSTALLING SIGNHOLDER:

1

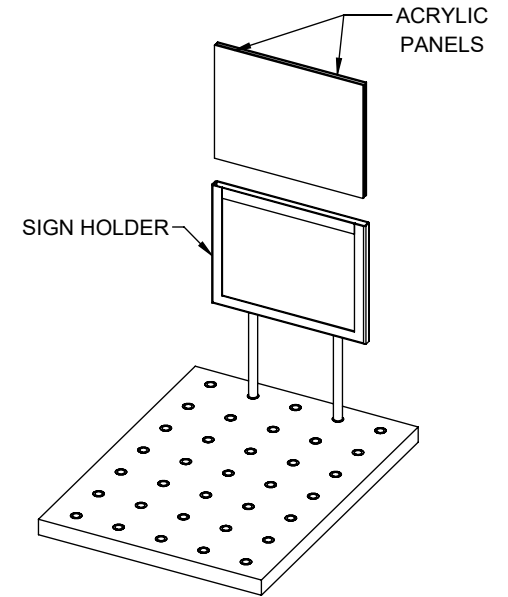
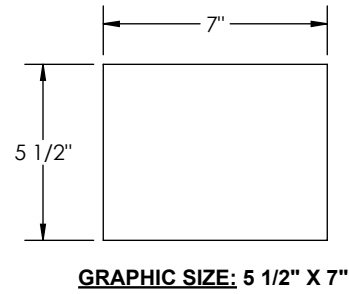
SCREW (2) SIGN HOLDER POSTS INTO DESIRED LOCATION ON THE BASE.

NOTE: LEAVE (1) HOLE BETWEEN POSTS FOR PROPER ALIGNMENT



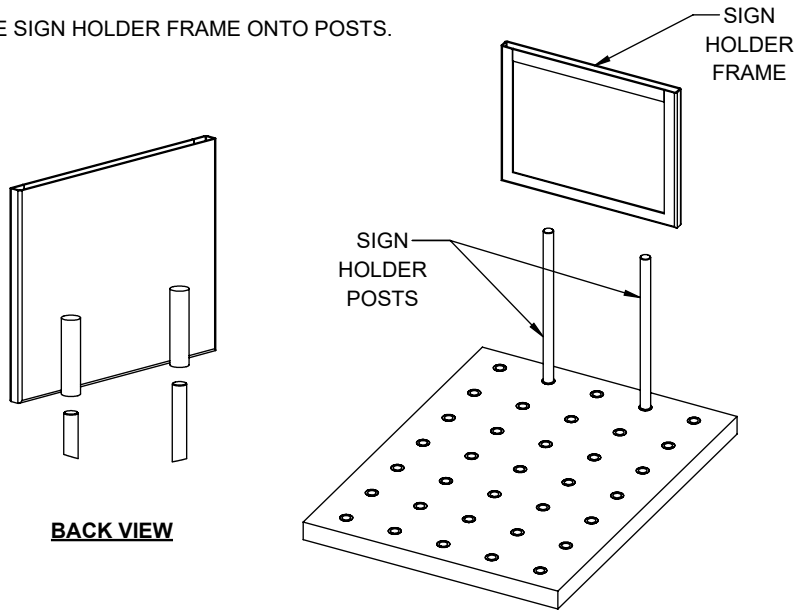
3

INSERT GRAPHICS/ACRYLIC PANELS INTO THE TOP OF THE SIGN HOLDER.



2

PLACE SIGN HOLDER FRAME ONTO POSTS.



NOTE: RISERS AND SIGN HOLDERS CAN BE DISPLAYED IN ANY CONFIGURATION

